



TopSlide


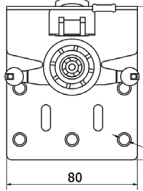

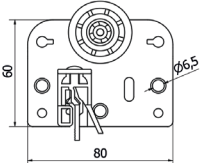




Wardrobe Sliding Door System

TopSlide is a top running system with the weight of the doors suspended from the top rollers. Bottom guides and guide channel keep the doors in position.

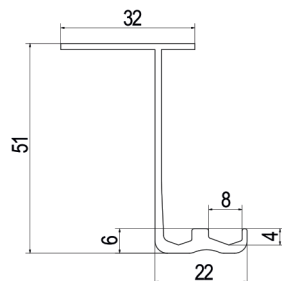
Track and mechanisms are hidden behind the overlay doors. With its high weight capacity of 60kg per panel and soft close option the Topslide is a modern, sleek sliding solution.

-  Maximum door panel weight of 60kg.
-  Featuring runners highest quality components
-  Full technical support
-  Hassle free door solution
-  Soft close option
-  Suitable for interior applications

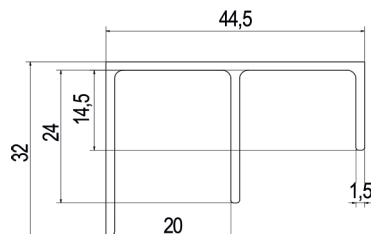
TopSlide 2 Door set contains

				
2x Top Roller (A)		1x Top Roller (B)		1x Top Roller (C)
				
2x Lower Guide (A)		2x Lower Guide (B)		2x Soft Close Units

Top Running Rail Profile



Bottom Running Rail Profile



Contact for further information
01280 822288 | www.runners-uk.co.uk | sales@runners-sales.com

TopSlide

Specification

- Maximum door panel weight: 60kg
- Minimum door thickness: 16mm thick
- Maximum door thickness: 22mm thick

