

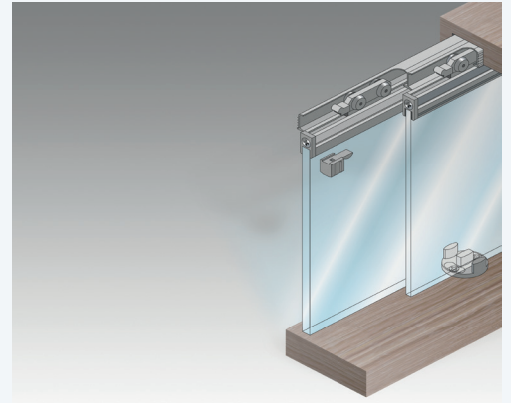
FurnGlass

Folding Sliding Door System

Featuring a flush and compact design, the FurnGlass is the ideal alternative for any of your sliding glass cabinet doors.

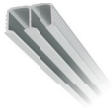
Furnglass is designed for cabinets with glass doors weighing up to 15kg per panel.

The recessed track houses smooth gliding rollers which are connected to the slimline door profile. FurnGlass is a double track, bypassing system enabling multiple glass panels to slide behind each other.



Description	Code
Fitting Kit to suit 2x Glass Panels (Includes: 4x Top Rollers, 4x Door Stops, 1x Bottom Guide)	200-200
1.5m Top Track Satin Anodised Aluminium	200-100-015
1.5m Lower Profile Satin Anodised Aluminium	200-300-015

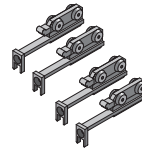
FurnGlass Components



Aluminium top track



Aluminium Glass Door Profile



Top Rollers



Stops

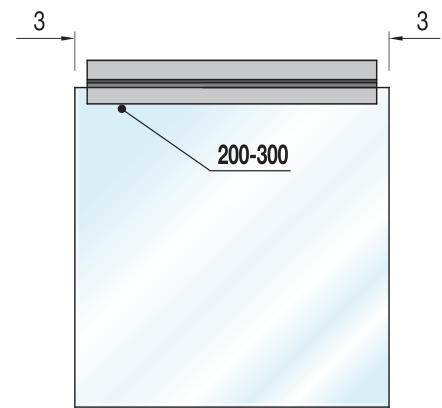
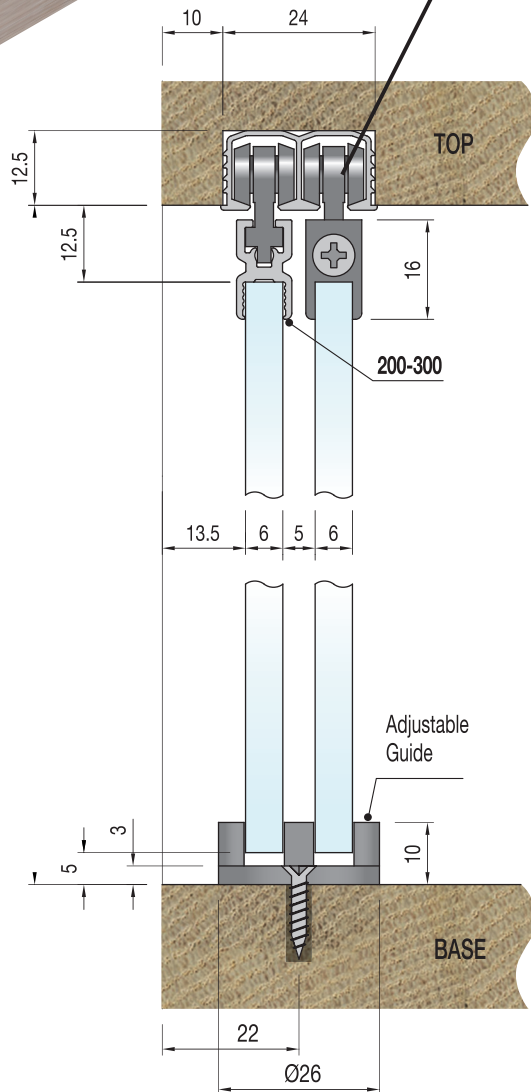
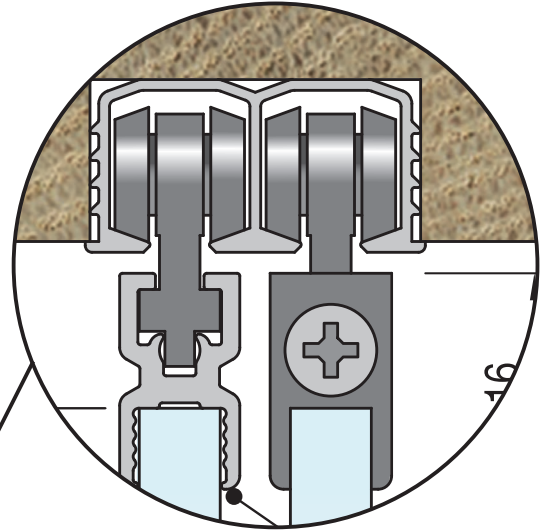
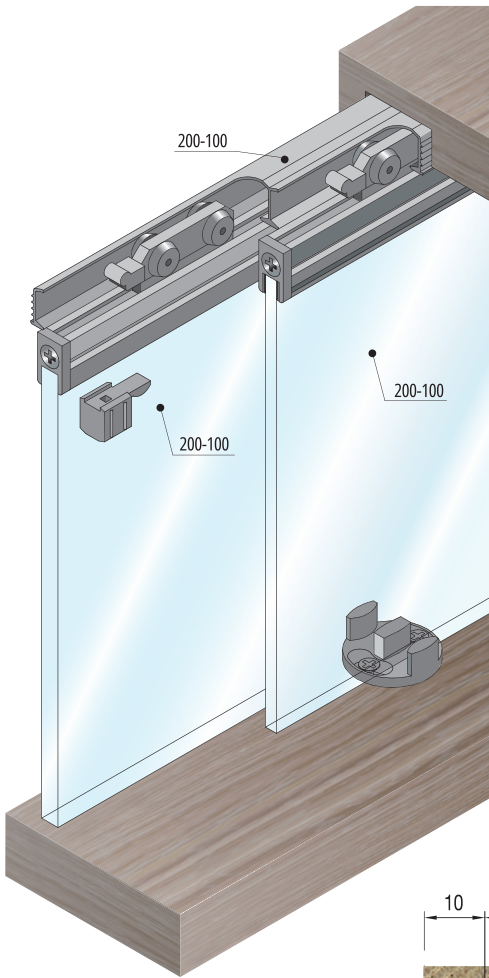


Bottom Guide



FurnGlass Specification

- Max Panel Weight: 15kg
- Glass Panel Thickness: 6mm



Top Profile Preparation