



Slide & Stack

Multidirectional top hung sliding system

Slide & Stack is a versatile multidirectional top hung sliding system with stacking options that allow each panel to be stored away from the opening.

The versatility of Slide & Stack makes it perfect for creating room dividers, meeting rooms and quiet zones.

Helps to Divide Areas Quickly and Easily

runners

Featuring High Quality Components

Panels can be Stored Away Neatly

Full Technical Support

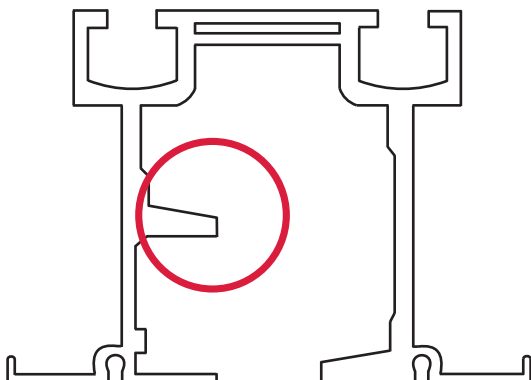
Tailored to Fit Your Needs

Suitable for Panels Weighing up to 150kg

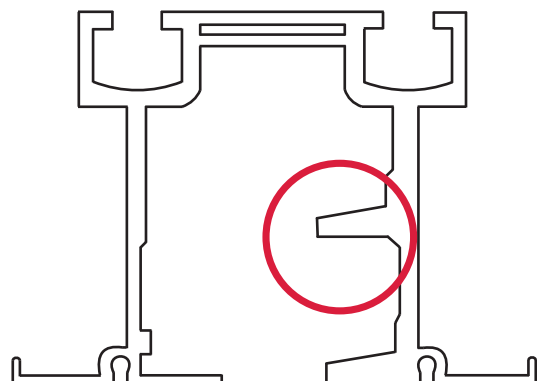
Slide & Stack Components

The handing of the system is determined by the flange position circled in the diagrams below:

Left Hand



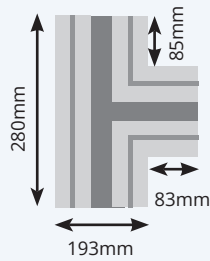
Right Hand



Slide & Stack Components

T Junctions

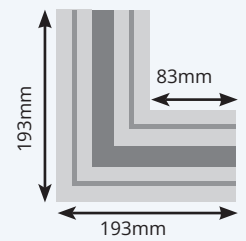
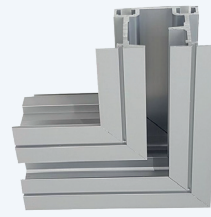
Left
Code:
141015



Right
Code:
141013

L Junctions

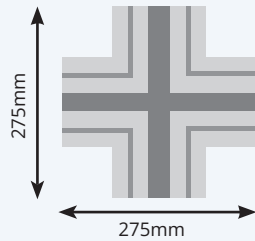
Left
Code:
141011



Right
Code:
141009

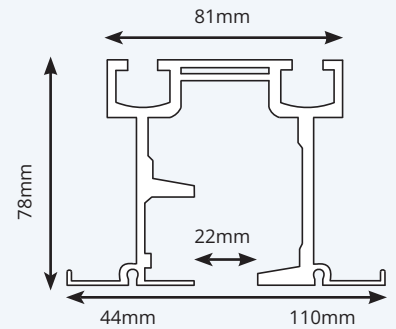
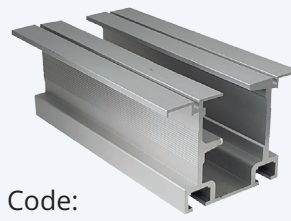
4-way Junction

Code:
141017



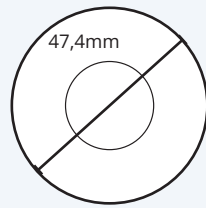
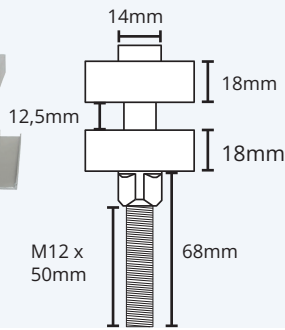
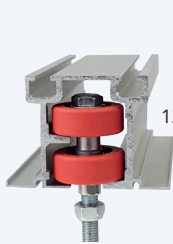
3 Metre Top Track

Code:
141005



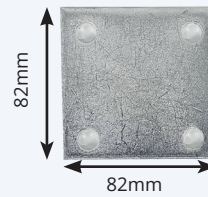
Double Roller M12 x 50mm Thread

Code:
141007



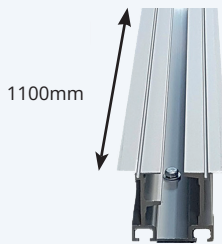
Bolt-on Joining Plate

Code:
141025



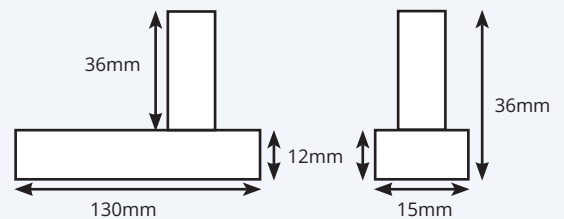
Entrance Track Adaptor

Code:
141019



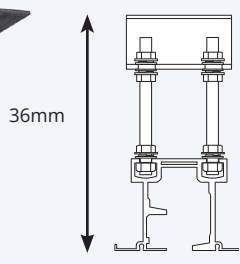
Double Roller Bracket

Code: 141026



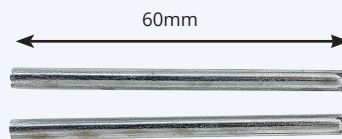
Track Bracket M12 x 149mm Long Studs

Code: 141021

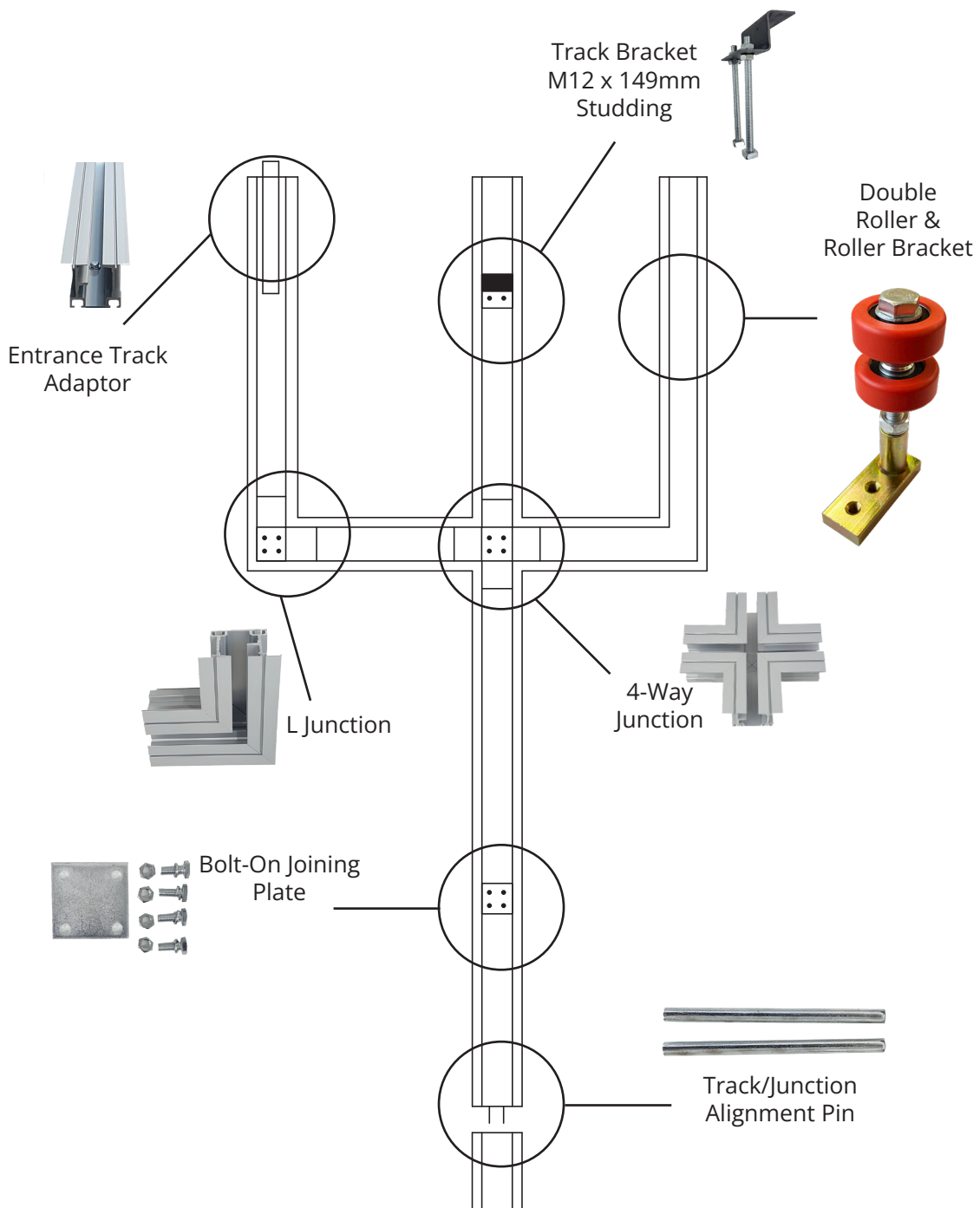


Track/Junction Alignment Pin

Code: 141023

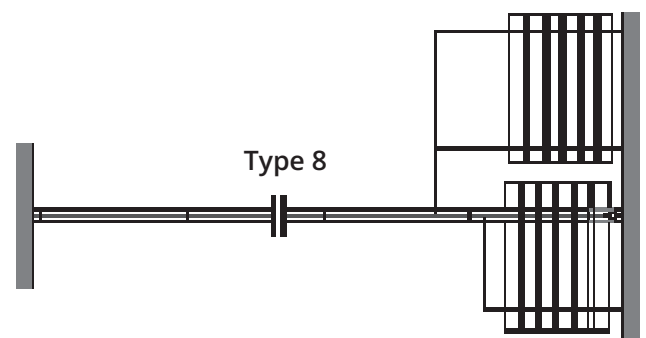
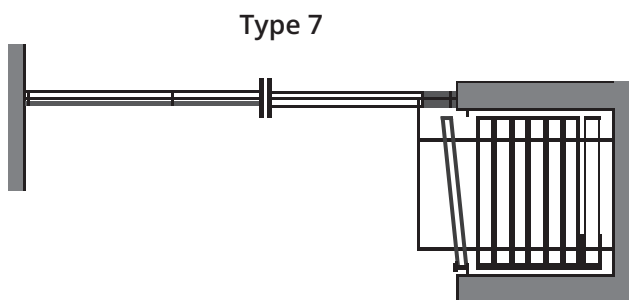
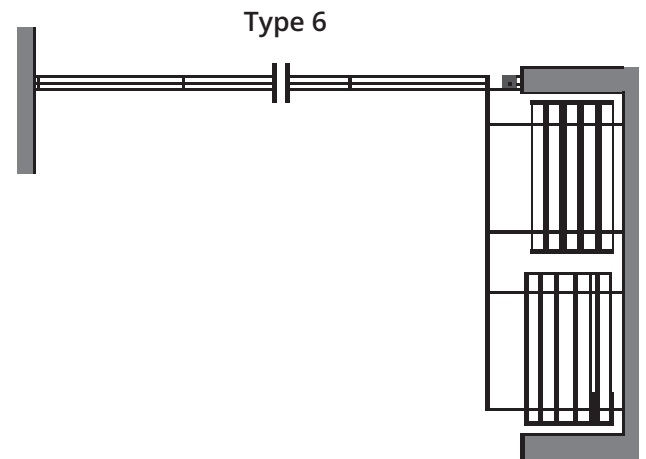
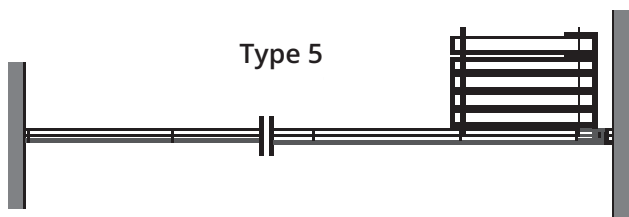
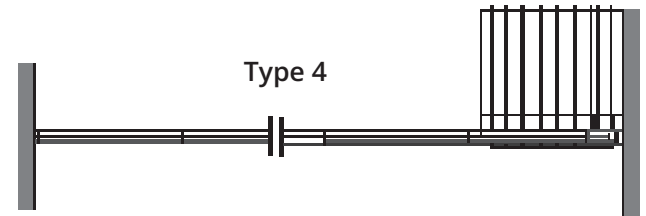
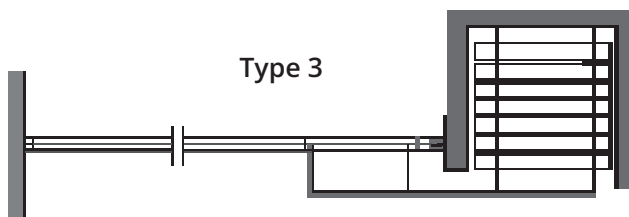
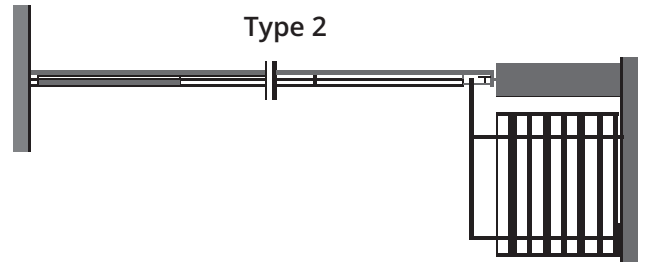
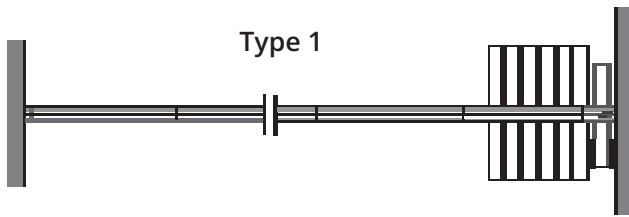


Slide & Stack



Configurations

Slide & Stack is suited to many applications, here are some layout examples showing how it can be used.



Slide & Stack Configurations

