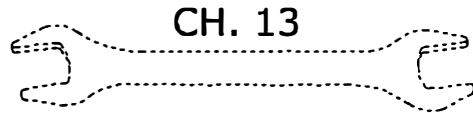
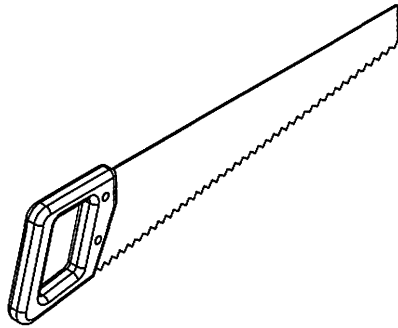
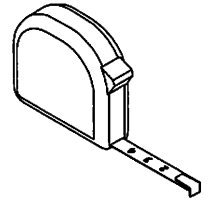
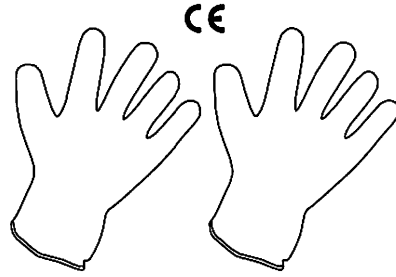
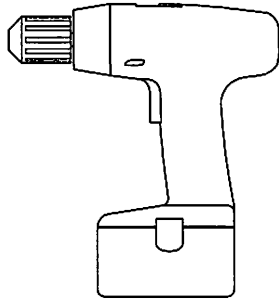
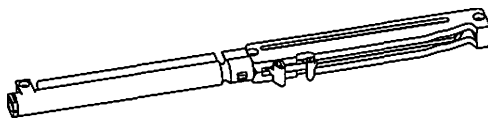


# TOOLS REQUIRED



## Package Contents

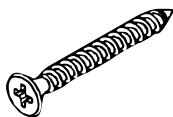
Ⓐ 1 x



Ⓑ 1 x



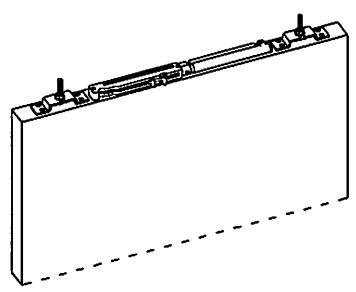
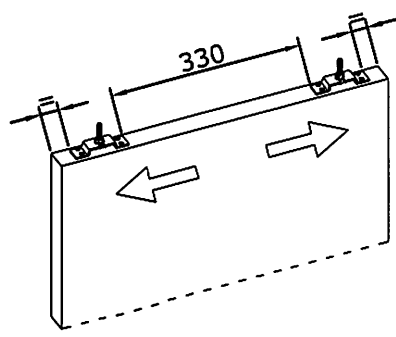
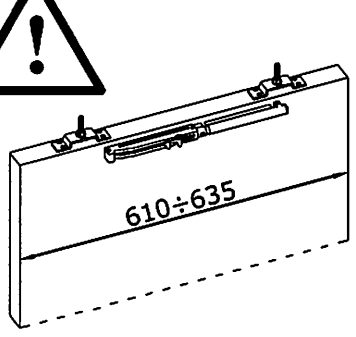
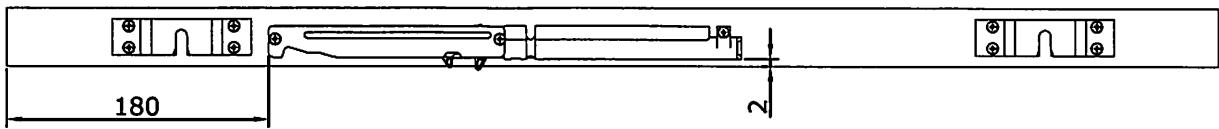
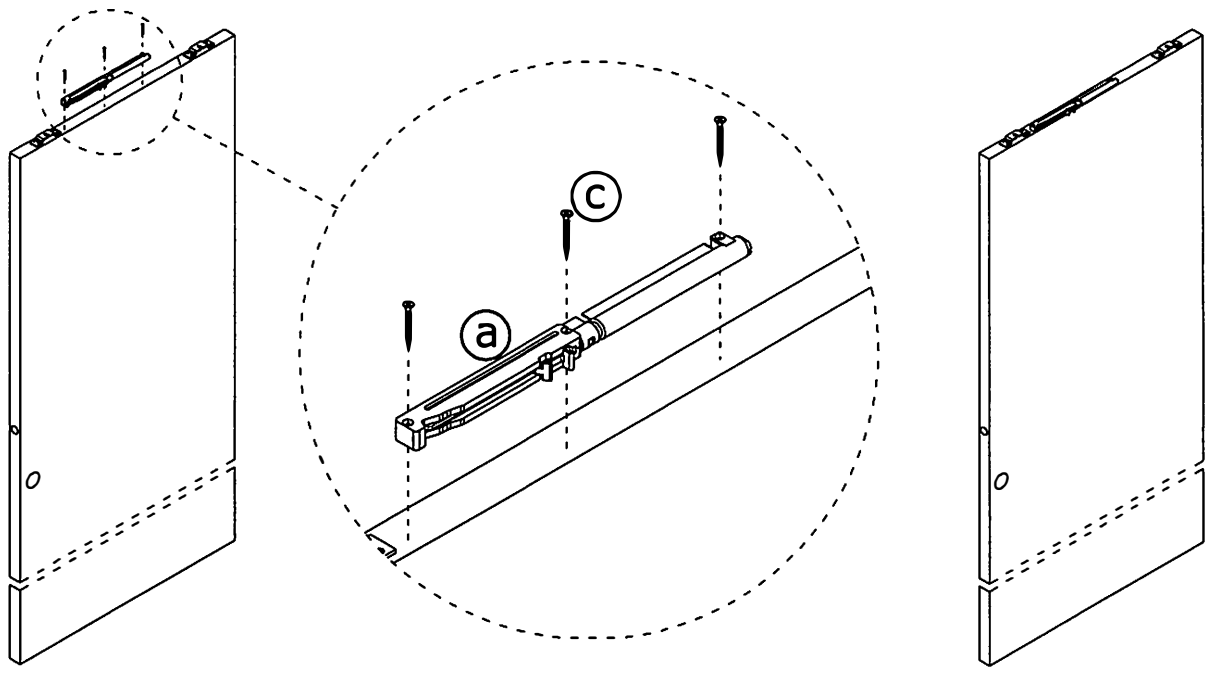
Ⓒ 3 x



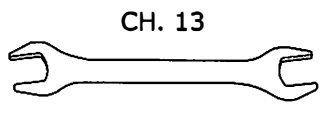
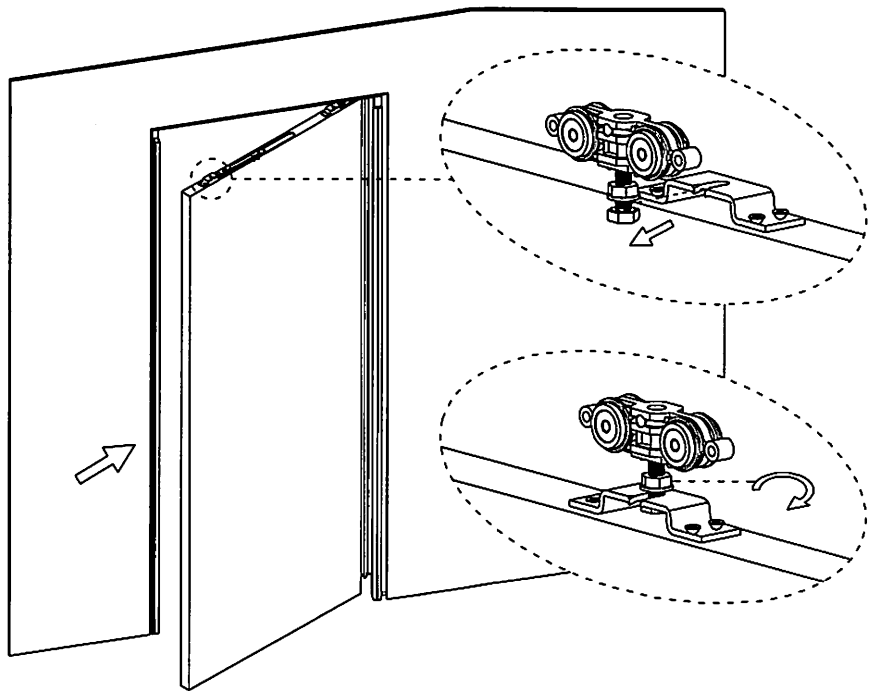
Ⓓ 3 x



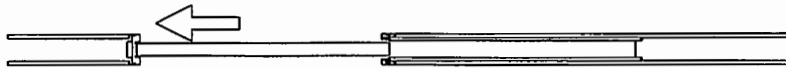
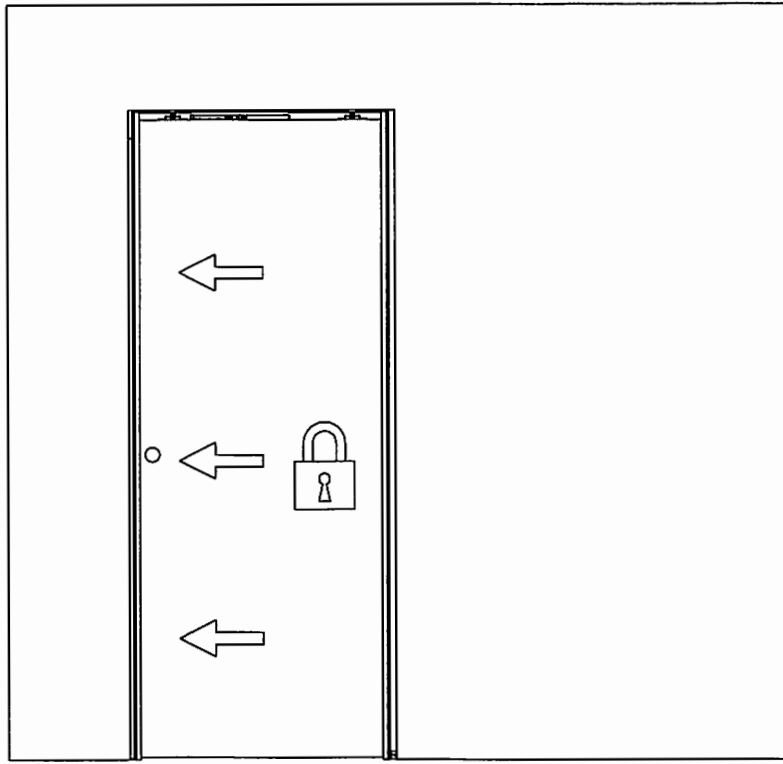
1



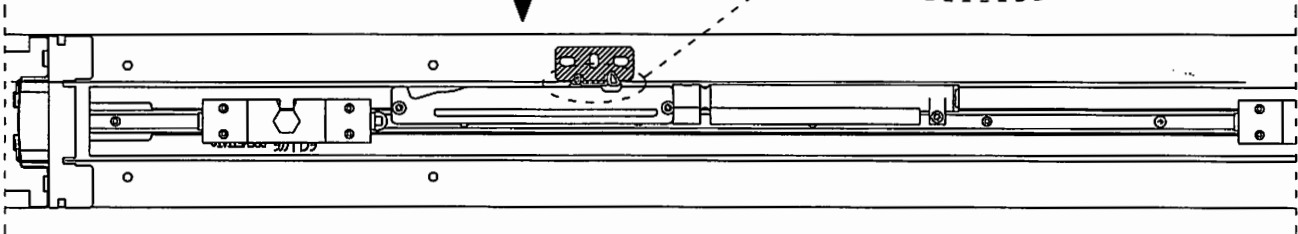
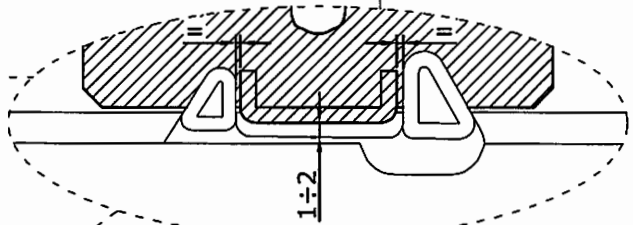
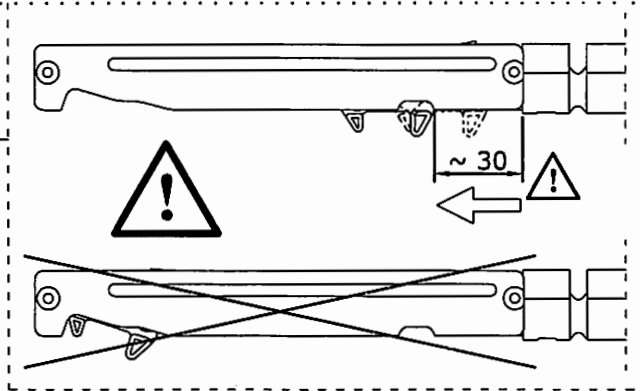
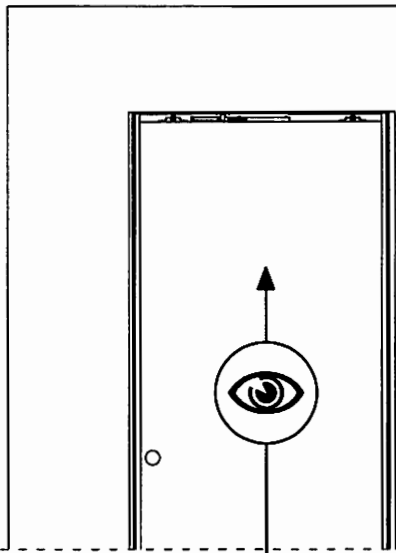
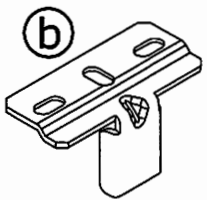
2



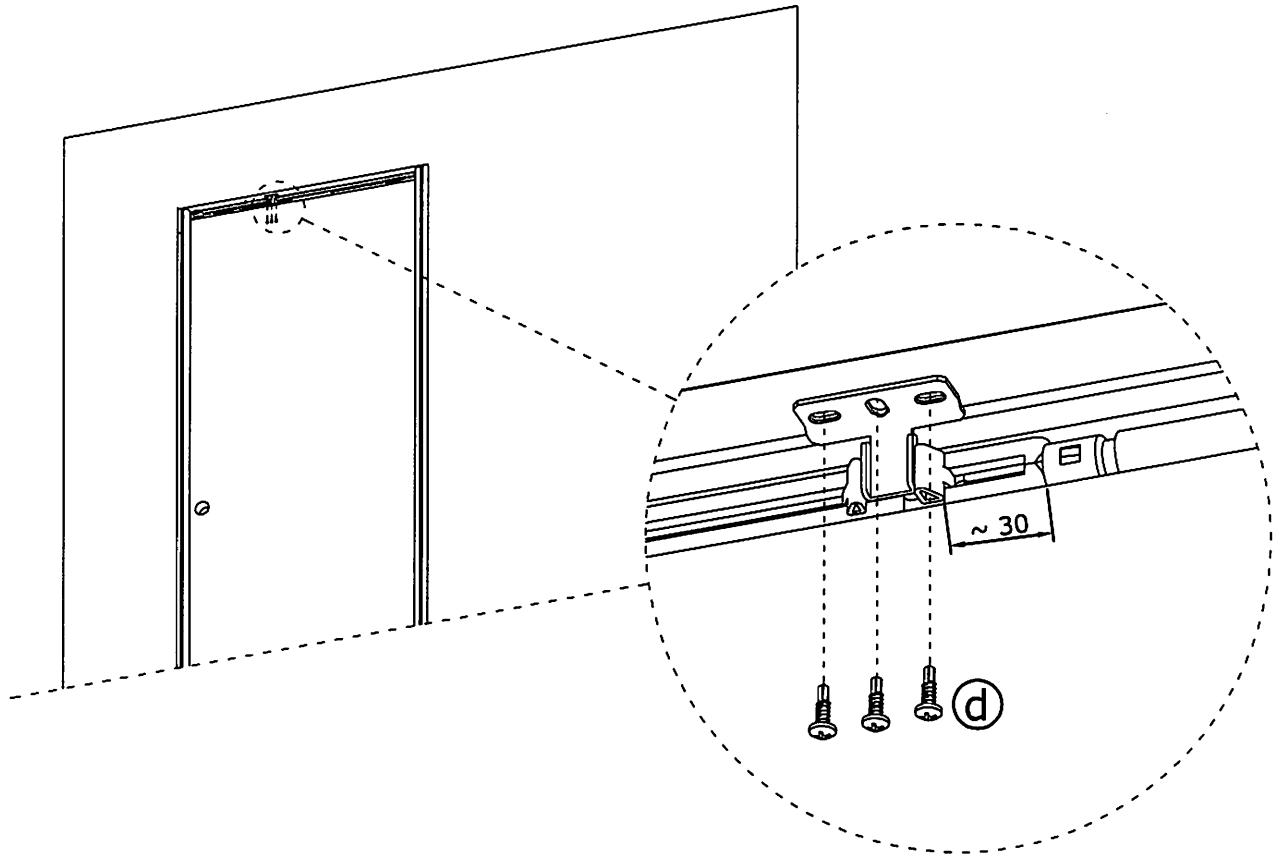
3



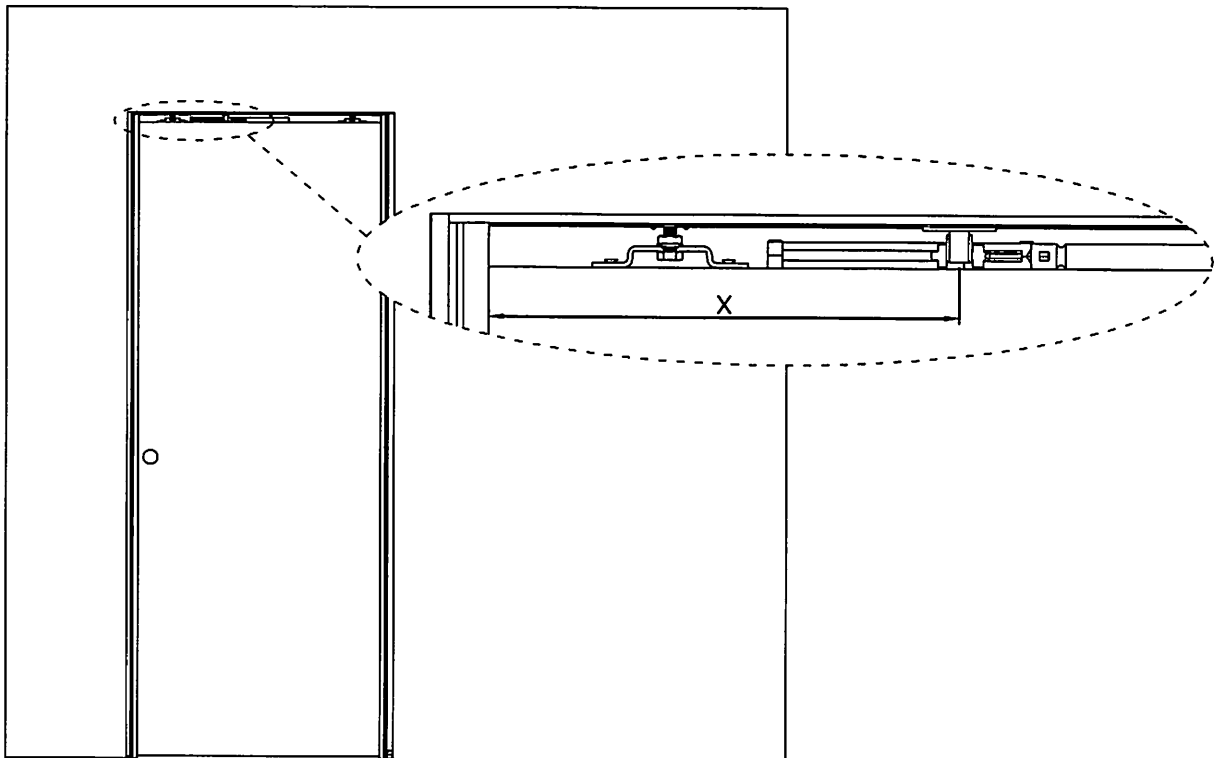
4



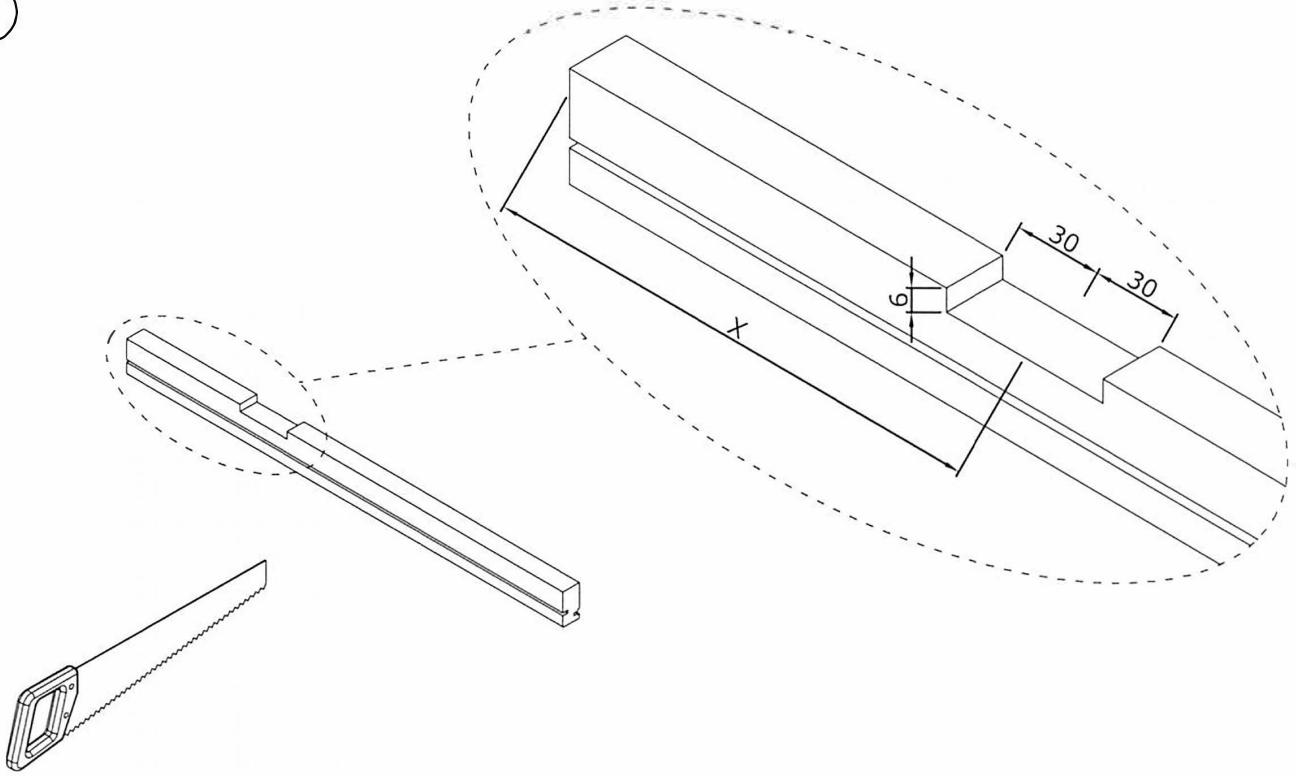
5



6



7



SOLUTION 1

SOLUTION 2

