



Series 70

Sliding/Bi-folding System



Suitable for panels up to 600kg, when using x2 300kg 4 wheel hangers



Featuring high quality components



Full technical support



Easy to fit



Smooth movement

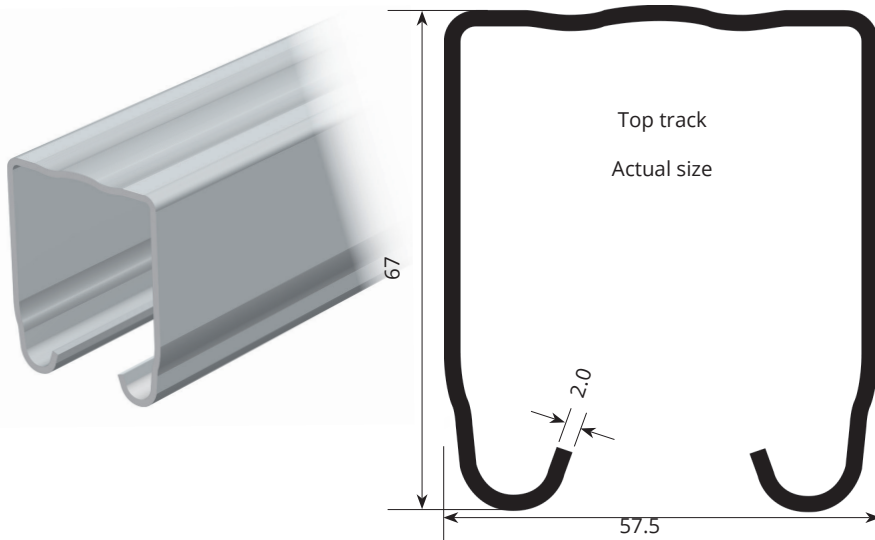


Hard-wearing sliding solution

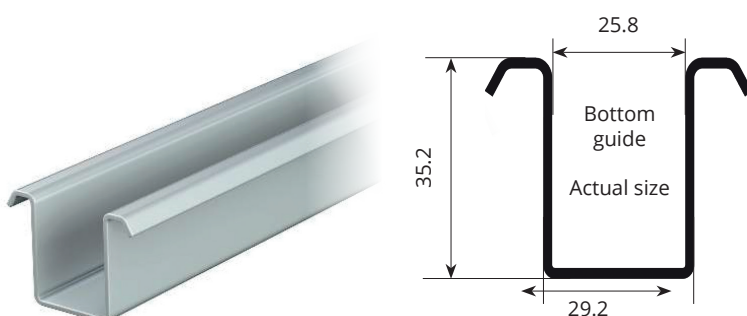
The heavy Duty 70 Series Industrial Sliding Door Gear is used for commercial and agricultural applications such as sliding doors on warehousing, stables and garages.

The smooth galvanised sliding door track range can be used for straight sliding configurations and is straightforward to assemble. Due to its large range of components, the 70 Series sliding door hardware can support doors weighing up to 600kg.

Series 70 Track components

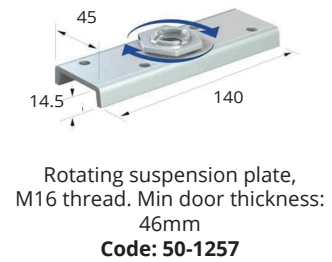
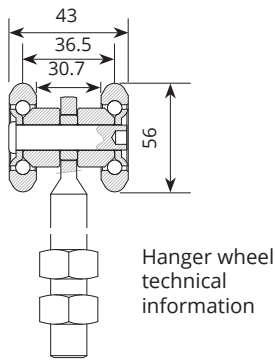


Description	Code
1m Top track	70-70-1
2m Top track	70-70-2
3m Top track	70-70-3
4m Top track	70-70-4
5m Top track	70-70-5

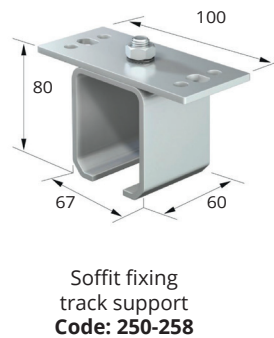
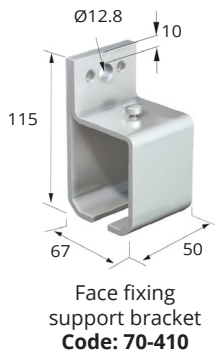


Description	Code
1m Bottom guide	250-81-1
2m Bottom guide	250-81-2
3m Bottom guide	250-81-3
4m Bottom guide	250-81-4
5m Bottom guide	250-81-5

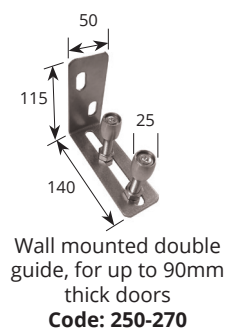
Series 70 Hangers & rollers/Plates



Series 70 Brackets and connectors

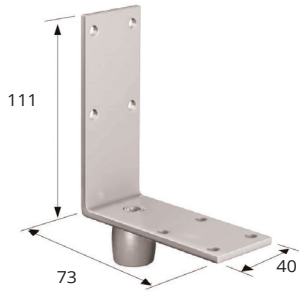


Series 70 Bottom guides

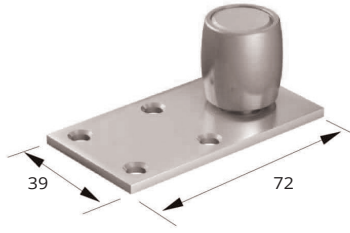


Use Polyester resin to support your anchor studs and bolts into hollow walls, masonry and concrete floors
Code: AFJ350

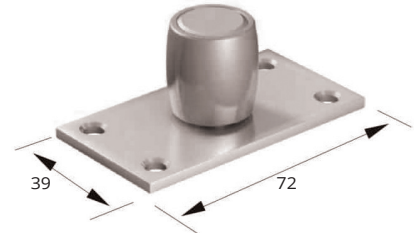
Series 70 Bottom guides



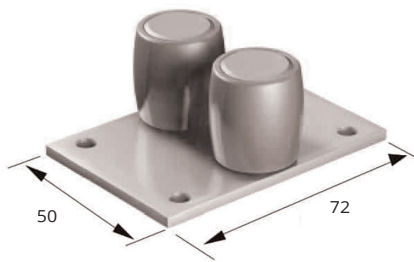
25mm Diameter bottom guide roller, on angled plate
Code: 250-73



25mm Diameter steel guide rotating pin on flat plate
Code: 250-69



25mm Diameter bottom guide roller on flat plate
Code: 250-70



25mm Diameter double bottom guide roller, on flat plate
Code: 250-77



25mm Diameter brass guide roller
Code: 250-1298



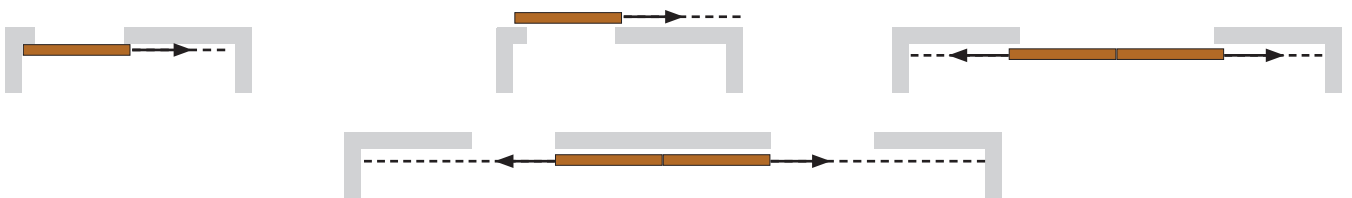
Guide roller M12 with 25mm roller
Code: 250-268



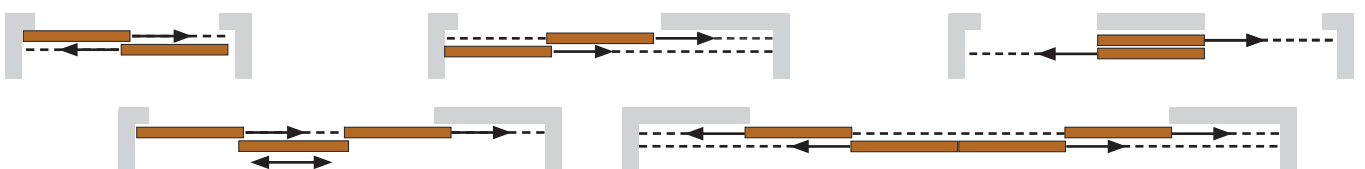
Guide roller M16 with 34mm roller
Code: 250-1271

Typical panel configurations

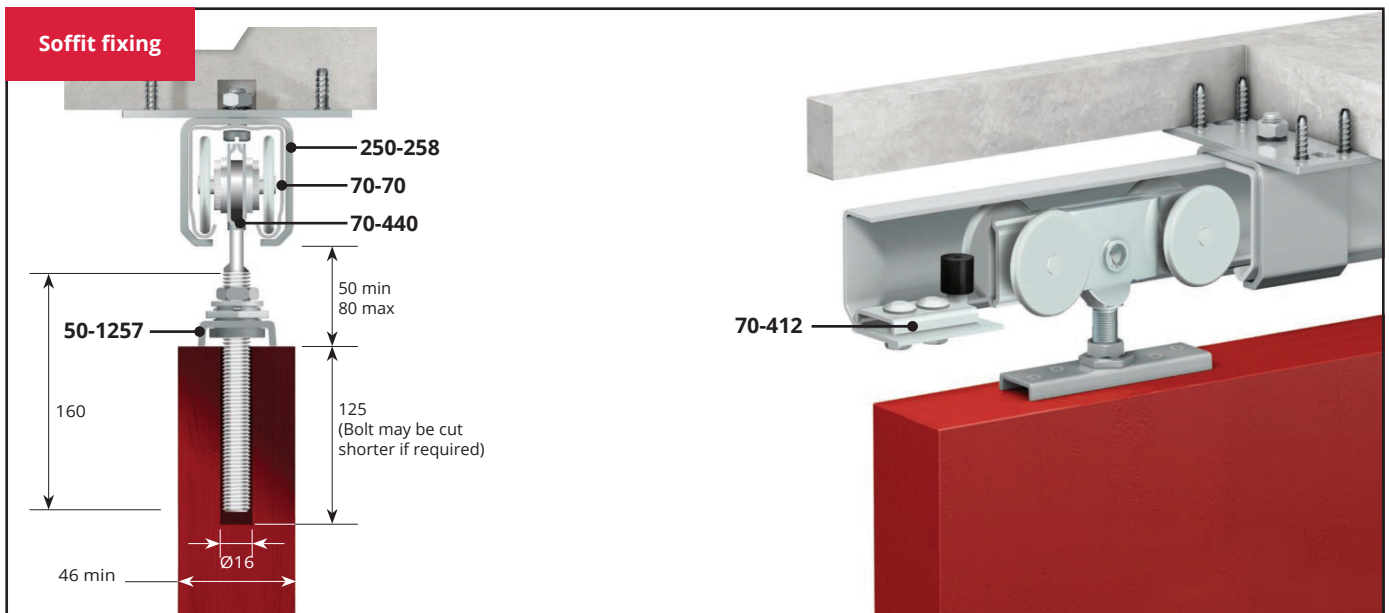
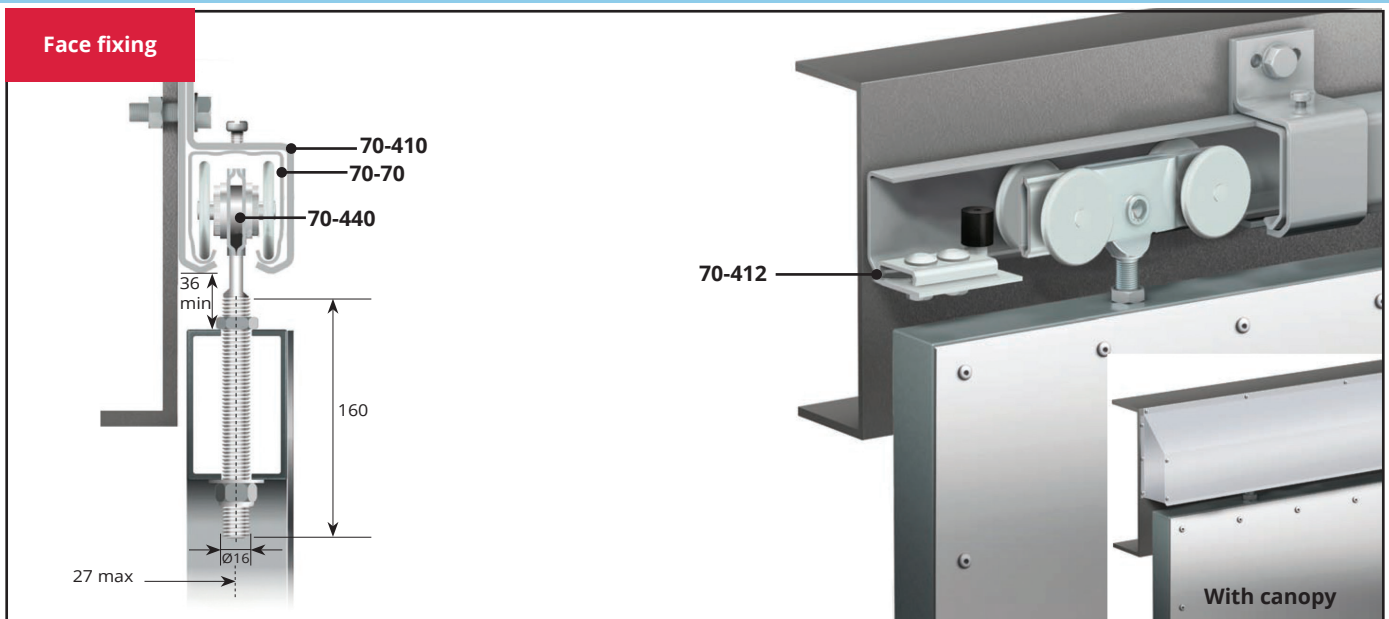
Single track run



Double track run



Series 70 straight sliding applications



Bottom guide options

Typical bottom guide configurations for sliding systems (suggestion only).

- A. Screw mounted guide roller fixed to timber door with under guide channel recessed into floor.
- B. Screw mounted guide roller fixed to metal door with under guide channel recessed into floor.
- C. Bottom guide **250-77** used with angle steel, which can also act as a weather strip.
- D. T-section metal bar fitted to door underside and used with bottom guide.
- E. Bottom guide **250-1271** fixed into floor using chemical resin. Door is then guided between wall and roller which allows it to be used with no under guide channel. Where guide channel is prone to fill with debris, this method is recommended

