

Series Mini

Cabinet sliding door system

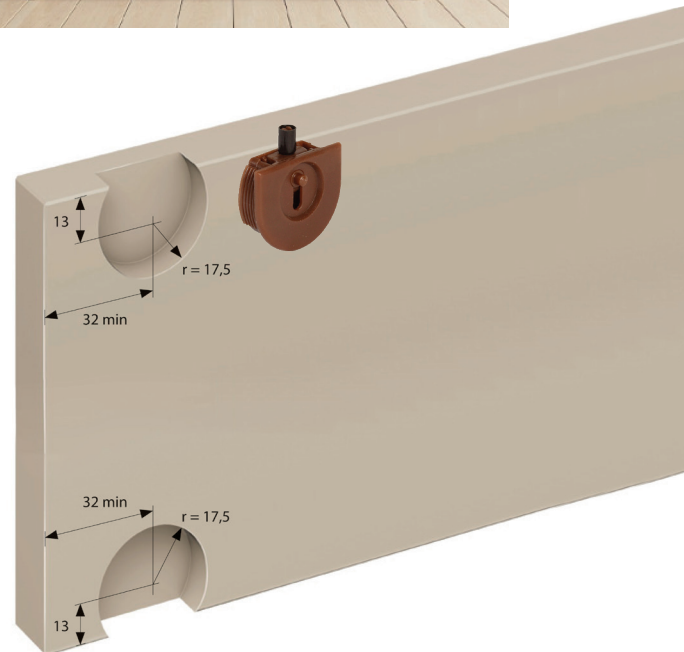
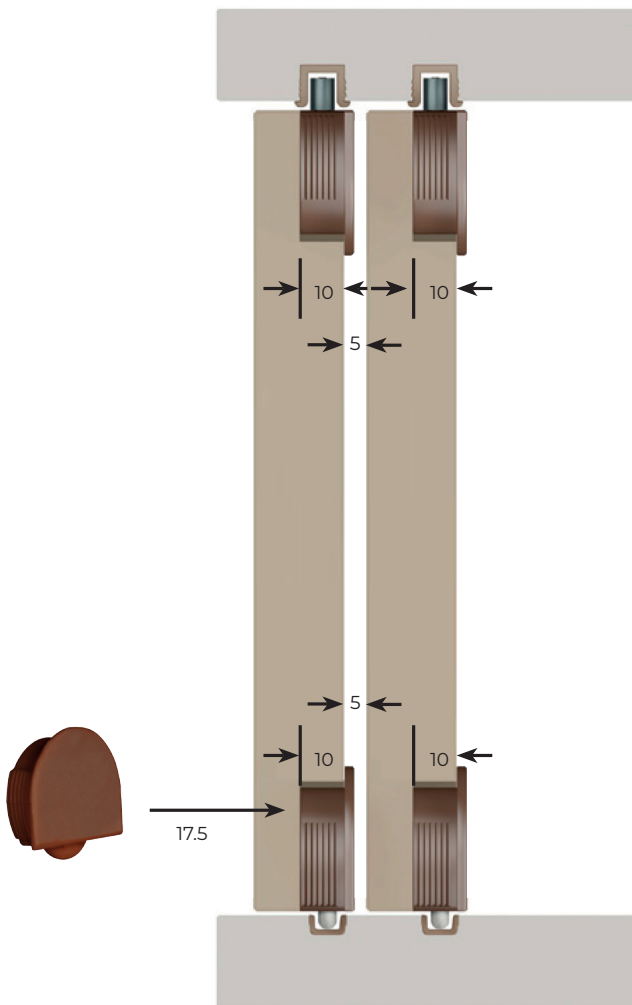
The Series Mini is a bottom rolling, small and durable sliding door system designed for cabinets, cupboard doors and domestic wardrobes.

Featuring a wide selection of rollers and different profiled tracks in white and brown PVC, Series Mini is a truly versatile and practical system.

Series Mini has multiple tracks that can be placed in front of each other to create bypassing doors.

- kg**
Maximum door panel weight of 25kg.
- Bottom Rolling**
- Full technical support**
- Hassle free door solution**
- Suited to 14-44mm thick doors**
- Durable sliding system**

Components



Fitting kits

Fitting kit for 1 door includes:
 2x Series mini bottom guide roller
 2x Series mini top guide roller
 1x Series mini bottom track PVC guide channel
 1x Series mini top track PVC guide channel

	Description	Code
Brown	Fitting kit 1 door - 3000 mm track	SMB-1
	Fitting kit 2 door - 3000 mm track	SMB-2
	Fitting kit 3 door - 6000 (2 x 3000 mm) mm track	SMB-3
White	Fitting kit 1 door - 3000 mm track	SMW-1
	Fitting kit 2 door - 3000 mm track	SMW-2
	Fitting kit 3 door - 6000 (2 x 3000 mm) mm track	SMW-3

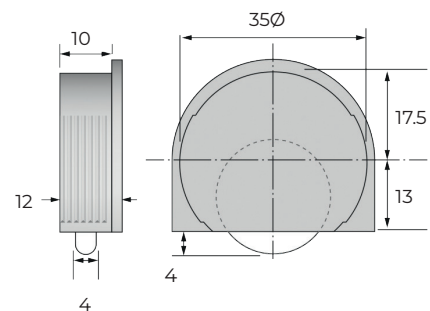
PVC components

Weights shown are overall door weights

Bottom roller



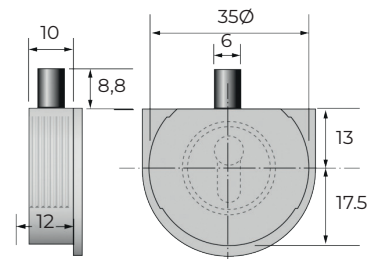
Description	Code
Ø 18mm Nylon wheel white	00-731W
Ø 18mm Nylon wheel brown	00-731B



Upper retractable guide



Description	Code
PVC Upper retractable guide white	00-730W
PVC Upper retractable guide brown	00-730B



Bottom guide channel

Actual size



Description	Code
PVC bottom guide channel 3000 mm white	00-232W
PVC bottom guide channel guide 3000mm brown	00-232B

Top guide channel

Actual size



Description	Code
PVC top guide channel 3000 mm white	00-226W
PVC top guide channel 3000 mm brown	00-226B