



SoftSlide

Wardrobe sliding system



Maximum door panel weight of 80kg.



Bottom Rolling



Full technical support



Quick and easy to install



Height adjustment up to 6mm

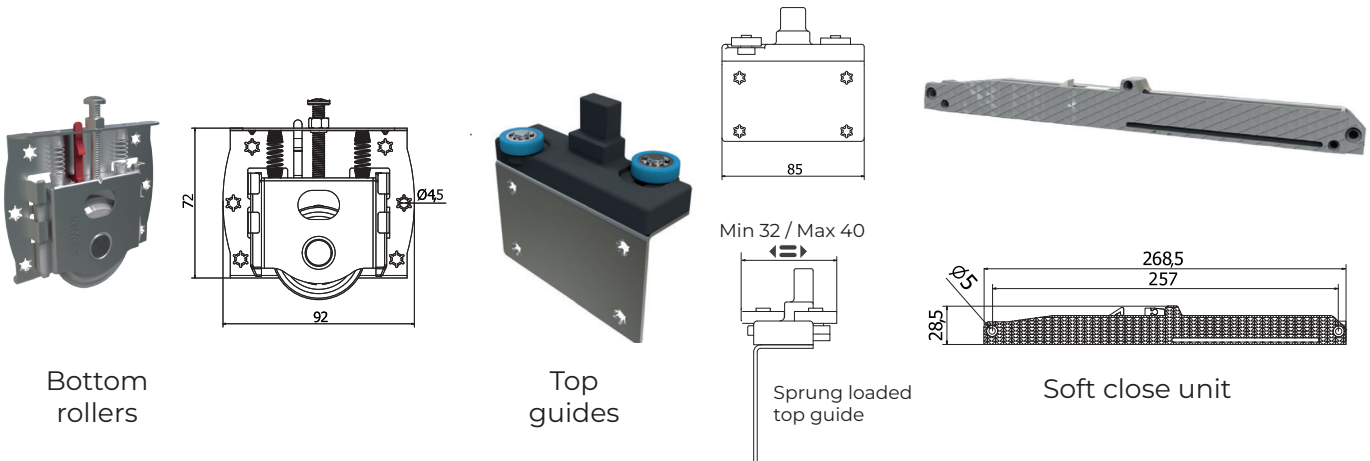


Includes soft close

The SoftSlide features a maximum door capacity of 80kg, easy to install and the height can be adjusted by 6mm for a custom fit. Its integral bearings offer smooth and quiet operation, while the soft-close option ensures a controlled closure.

SoftSlide is designed for quick and easy installation, making it a hassle-free solution.

Components



Bottom rollers

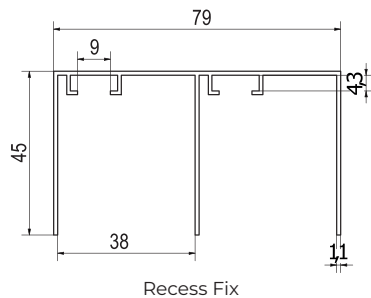
Top guides

Sprung loaded top guide

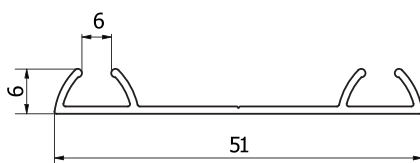
Soft close unit

Fitting kit for two door includes: 4 x top guides, 4 x bottom rollers and 4 x soft close unit

3 Metre top track



3 Metre bottom rail



Description	Code
SoftSlide Kit 2 Door, 3000 mm Track	SS3000-2
SoftSlide Kit 4 Door, 3000 mm Track	SS3000-4
SoftSlide Kit 2 door, 6000 mm (2 x 3000 mm) track	SS6000-2
SoftSlide Kit 4 Door, 6000 mm (2 x 3000 mm) track	SS6000-4

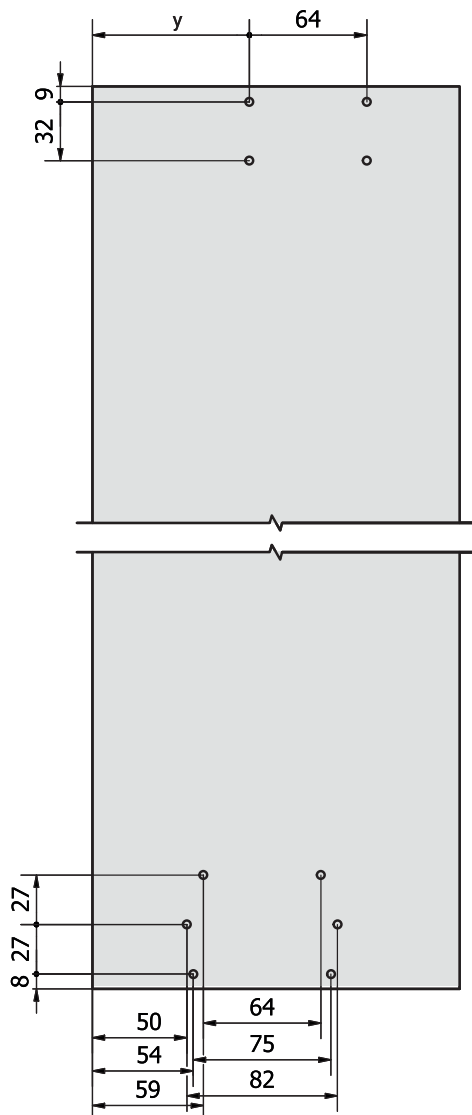


Specification

- **Maximum door panel weight:** 80kg
- **Minimum door panel weight:** 30kg
- **Minimum door thickness:** 16mm
- **Maximum door thickness:** 24mm
- **Up and Down Adjustment Option:** Up to 6 mm



$y = 86$



$y = L - 52$

