

Softclose Door weight Guide :







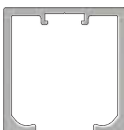
0-20kg - 20-TSC15-FF

20-40kg - 20-TSC30-FF

40-60kg - 20TSC50-FF

60-80kg - 20TSC70-FF

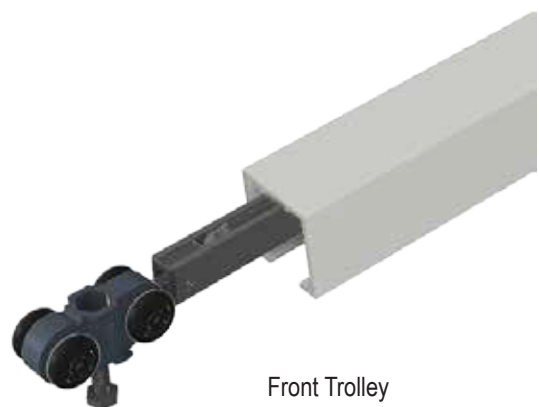
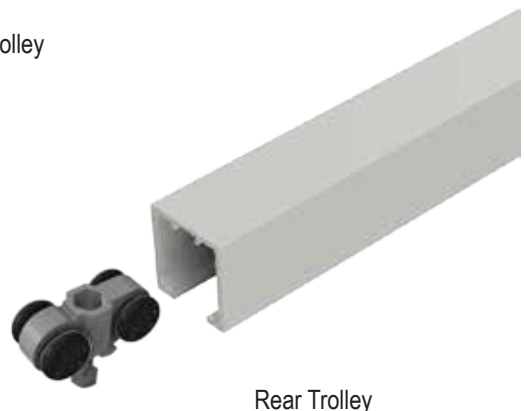
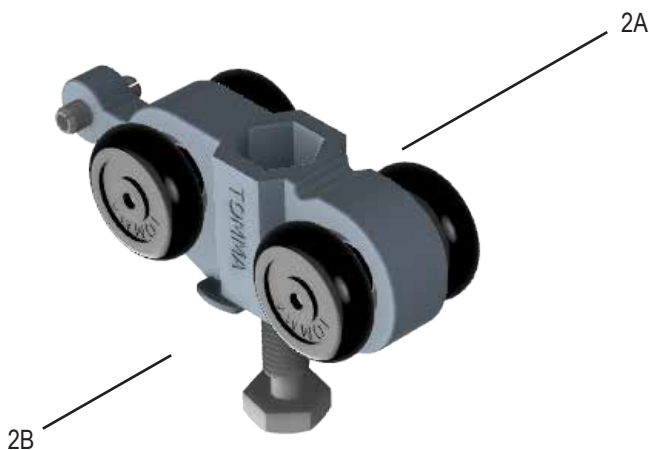
TOMMA Soft Close Fast Fix Door System :

	DESCRIPTION	QUANTITY
	Stop Catch	1
	End Trolley	1
	Fast Fix Soft Close Options: 20-TSC15-FF 20-TSC30-FF 20-TSC50-FF 20-TSC70-FF	1
	Trigger Plate	1
	Fast Fix Bracket	2
	Pressed Spanner	1
Track :		
	Top Track 6m 10-60-SCTT6000-CA	1

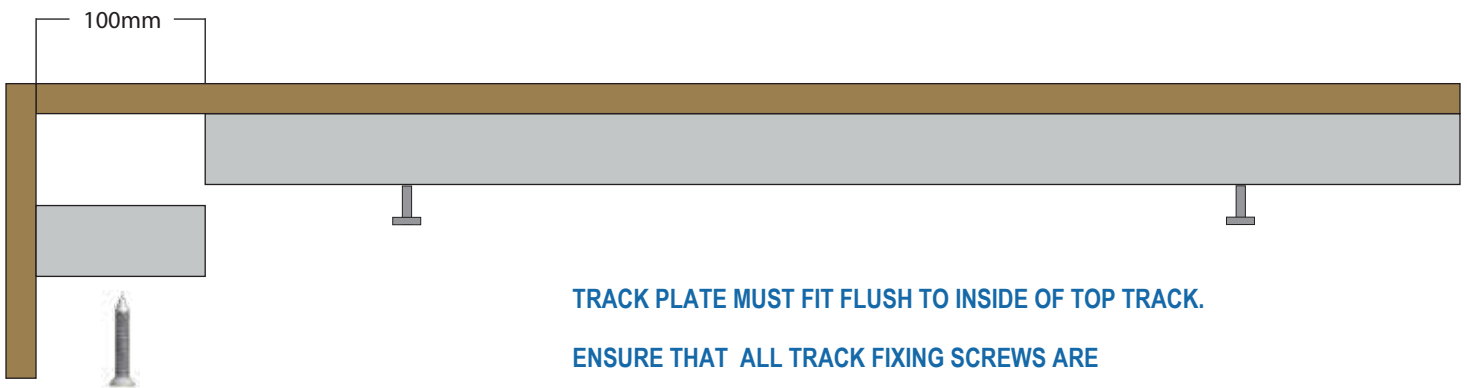
FITTING INSTRUCTIONS

STEP 1. INSERTING FRONT & REAR TROLLEYS

1. Insert rear trolley. The trolleys must have the groove (2A) facing the rear of the door.
This allows for the door catch finger to sit into the trolley groove once the door is closed.
2. Once the rear trolley has been inserted into the track, proceed to insert the front trolley into the track. Ensure anti-jump guide (2B) is sitting below the track.
3. Slide trolleys along the track to the required locations.



FITTING INSTRUCTIONS



TRACK PLATE MUST FIT FLUSH TO INSIDE OF TOP TRACK.

ENSURE THAT ALL TRACK FIXING SCREWS ARE

COUNTERSUNK BELOW THE SURFACE.

STEP 2. INSERTING TRACK INSERT

1. Wipe top track to ensure no debris is left to interfere with wheels
2. Fix track insert in place using the screw provided.
3. Ensure that the insert is fitted flush with door track.

FITTING INSTRUCTIONS

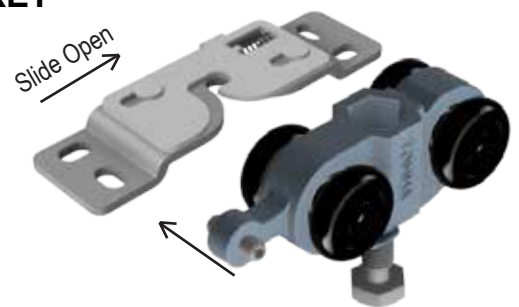


Front Door View

Rear Door View

STEP 3. FITTING OF TROLLEYS TO FAST FIX BRACKET

1. Fit the fast fix door bracket onto the top of the door, at each end of the door with the screws provided. Ensure the brackets are fitted 70mm from the edges of the door.
2. Carefully lift the rear of the door, lining up the rear fast fix bracket with the rear trolley. Slide and hold fast fix bracket open, whilst locating the rear trolley bolt into the bracket opening. Once the bolt is inside the bracket opening, release fast fix bracket to lock into place.
3. Slide the rear of the door into cavity frame. Proceed to locate the front fast fix bracket inline with the front trolley bolt. Once the bolt is inside the bracket opening, release latch to lock in place.



Push bolt into bracket opening

FITTING INSTRUCTIONS**STEP 4. DOOR ADJUSTMENT**

1. Using the spanner provided to adjust the door height up to requirement.

Ensure both ends are adjusted equally to ensure a level operating door.

2. Ensure door catch is catching the door in the correct position.

Simply loosen screw on door catch and slide along track until desired position is located.

